

# Refraction Unit

## REFRACTION UNIT

### CS-2000 (SL)



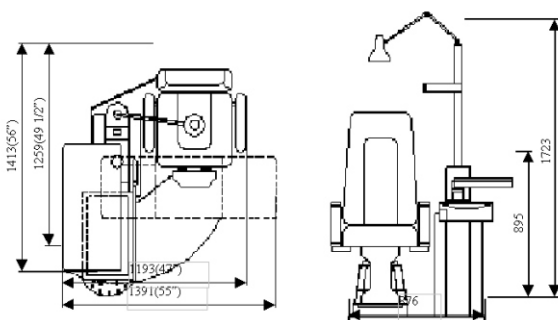
This classic refraction unit is so engineered that it simplifies all functions offering the best cost performance ratio, having added with more facility.

This combination of Instruments & equipments mounted on this equipment limits patients movements & helps the practitioner with convenience and speedier mode of examination.

The dust protective & moveable trial lens tray is most convenient & it's top surface cover is provided with extra facility as a prescription table cum contact lens practice space.

\*\* Subject to change in design and / or specification without advance notice.

### Maximum Area Required



### FEATURES

- Motorized up-down movement of the chair.
- Manual backrest reclination.
- Build in foot rest.
- Sliding Table Top for twin instrument.
- Dust proof trial lens tray.
- Retinoscope / Ophthalmoscope well.
- Chart projector / Vision Drum Arm.
- Near vision arm.
- Over head reading lamp
- Indirector arm.

### TECHNICAL SPECIFICATIONS

Chair Elevation Stroke	: 180 mm
Seat Height	: 560 mm to 740 mm
Instrument Table Height	: 865 mm
Maximum Area required	: 1420 mm x 1675 mm. in erect position
Back-Rest	: With manual inclination
Rotation	: 0-30° left/right or 270°Circular
Load lifting capacity	: 175 Kgs.
Auxiliary output	: 220v 50 Hz/4 connection
Voltage on table	: Supply terminals on table
Power Supply	: 230 v 50/60Hz 5.Amp.
Gross Weight	: 240 Kgs.



[www.plantechindia.com](http://www.plantechindia.com)

58, Tirupati Ind. Estate, Nr. Jay Bharat Rangshala Comp., B/h. Ambar Cinema, Saraspur, Ahmedabad - 380 024. (India)  
Tel : 079 - 274 8813, 247 9913 • Fax : 079 - 276 0870 • E-mail : pms@icenet.net, info@plantechindia.com